



*Rekord Tech &  
Rekord Tech Ø14*

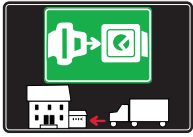
LEVELLERS





# SYMBOLS AND FINISHES LEGEND

## SYMBOLS



= SHELF SAFELY LOCKED DURING TRANSPORTATION AND AT HOME.



= ANTI-TURNOVER LOCKING SYSTEM



= NORMS / PATENTS



= PHILLIPS / POZIDRIV



= WITH BUFFER



= PART NO.



= BLADE SLOT



= WITH MAGNET



= PCS. PER PACKAGE



= COMBI SLOT



= NEWTON



= CAPACITY LOADING



= HEXALOBULAR SOCKET



= FRICTION



= WOOD / GLASS THICKNESS



= COUNTERSUNK HEAD



= AUTOMATIC



= HOLE DIAMETER



= PAN HEAD



= DROP DOWN



= DIAMETER



= FLANGE HEAD



= STANDARD HINGE



= LENGTH



= FLAT HEAD



= KIMANA HINGE



= HEIGHT



= TRILOBULAR SCREW



= FLAP HINGE



= RIGHT VERSION



= SELF-TAPPING SCREW



= WITH SPRING



= LEFT VERSION



= EURO THREAD



= WITHOUT SPRING



= SETTING CODE



= METRIC THREAD



= REVERSED SPRING



= PCS. PER PAD



= PRE-INSERTED SCREW



= PRE-INSERTED SCREW AND SPREADING BUSH



= CUT ON REQUEST



= WITH FLANGE



= SELF ADHESIVE

NOTE: Printing errors and omissions may exist despite our best efforts to ensure accuracy. We reserve the right to alter specifications without notice.

## MATERIALS

<b>ZA</b> = Zinc Alloy	<b>ST</b> = Steel	<b>HSS</b> = High Speed Steel	<b>BR</b> = Brass	<b>ABS</b> = Acrylonitrile Butadiene Styrene
<b>ZAnk</b> = Nickel-plated Zinc Alloy	<b>STzk</b> = Zinc-plated Steel	<b>AL</b> = Aluminium	<b>WD</b> = Wood	<b>EVA</b> = Ethylene Vinyl Acetate

<b>EP</b> = <b>ENGINEERING PLASTIC</b>	+ <b>EP</b> = other engineering plastic available on request	<b>SR</b> = <b>SOFT RUBBER</b>	+ <b>SR</b> = other soft rubber available on request
--	--	--------------------------------	--

<b>EPn</b> = Natural Engineering Plastic	<b>EPc</b> = Clear Engineering Plastic	<b>SRn</b> = Natural Soft Rubber
<b>EPw</b> = White Engineering Plastic	<b>EPg</b> = Grey Engineering Plastic	<b>SRw</b> = White Soft Rubber
<b>EPwg</b> = Water Green Engineering Plastic	<b>EPa</b> = Anthracite Engineering Plastic	<b>SRb</b> = Black Soft Rubber



## FINISHES



+ OTHER FINISHES AVAILABLE ON REQUEST

PART NO.	FINISHES	PART NO.	FINISHES	PART NO.	FINISHES
OO	Insignificant finish	IF	Middle Grey	RO	Red
AA	Natural	IJ	Light Grey	UT	T-Met 9007
AB	White	IL	Grey 20	UZ	T-Met
AE	White 9010	IN	Grey met. 26	WA	Bronzed
EA	Black	JB	Bright Aluminium	WI	Burnished
EC	Matt Black	JC	Aluminium - Chrome	XD	Satin-finished Steel
EE	Anthracite	JD	Matt Aluminium	YA	Nickel-plated
EW	Grey 9007	JE	Satin-finished Aluminium	YB	Bright Nickel-plated
FU	Gunmetal	JF	Aluminium - Brass	YC	Matt Nickel-plated
FV	Gunmetal V52	JG	Aluminium 5	YD	Satin-finished Nickel-plated
GR	Raw	JL	Aluminium PE 11	YQ	Black Nickel
HA	Brass-Plated	JM	Aluminium RAL 9006	Z9	Black Zinc
HH	Tropicalized	KA	Chrome	ZA	Zinc alloy
HL	Raw Brass	KB	Bright Chrome	ZN	Zinc-plated
HX	Graphite	KC	Matt Chrome	ZQ	Bright Gold
IA	Grey	LD	Brown 8019	ZY	Titanium
IB	Metallic Grey	NN	Metallic Beige	ZZ	Clear



## REKORD TECH



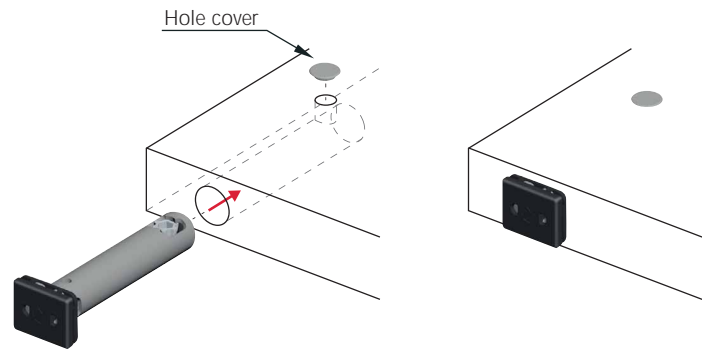
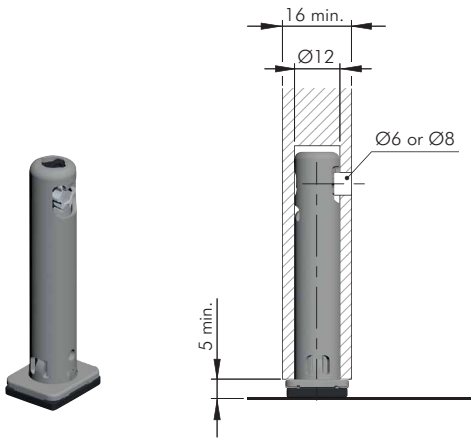
REKORD TECH is a development of the REKORD levellers. REKORD TECH is a concealed leveller to be fixed in the side panels and is suitable for heavy duty wardrobes, bookcases and modular furniture, as well as for flat-pack furniture. It is available in two versions: with rectangular base for side panels with 16mm minimum thickness or with round base for side panels with 18mm minimum thickness. The round base version can be completely embedded by operating a doublediameter hole. REKORD TECH is installed into the bottom edge of the side panel and it is then adjustable through a  $\varnothing 6$  mm hole from the inside, by using a S4 mm allen wrench. Even with a loaded cabinet, the adjustment is easy and smooth. REKORD TECH is available in multiple heights, with a maximum adjustment range of 25mm. In any case, all versions grant a capacity loading of 400 Kg each.

400 Kg per piece



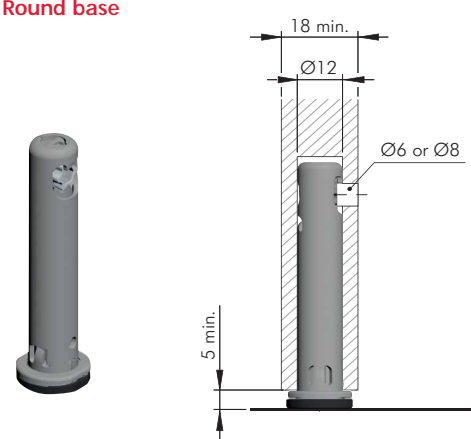
### REKORD TECH Rectangular base

### INSTALLATION

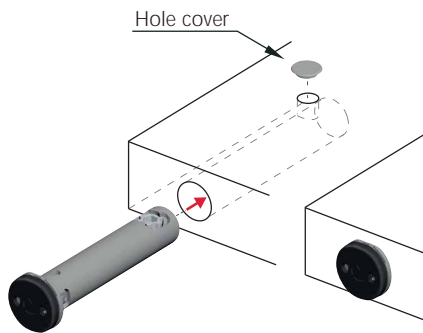


### REKORD TECH Round base

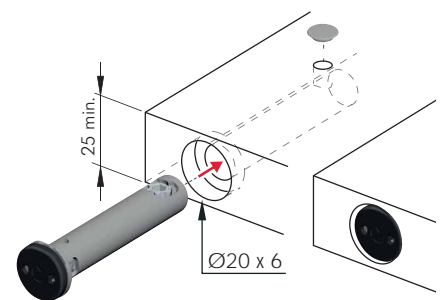
### INSTALLATION



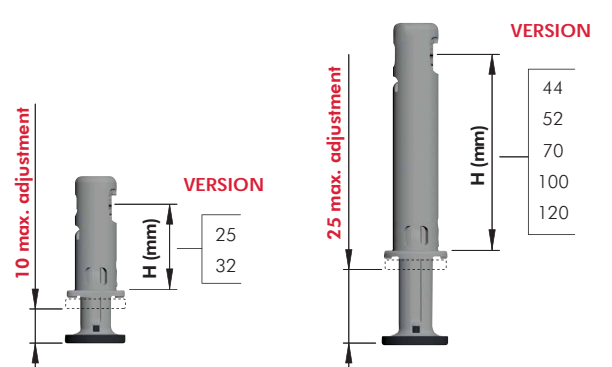
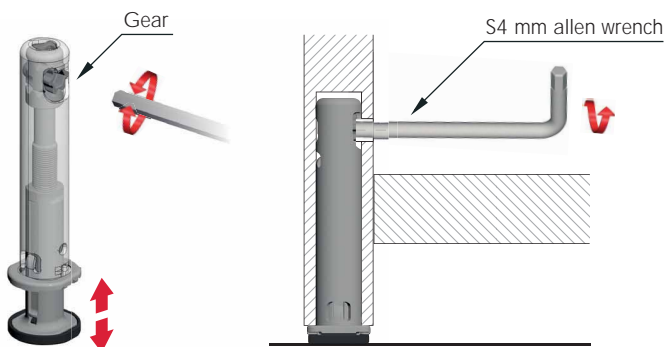
### Standard installation



### Suitable for fully embedded installation



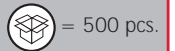
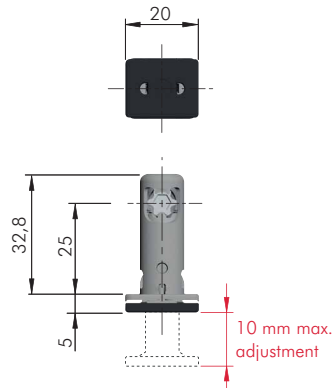
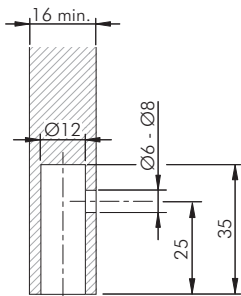
### ADJUSTMENTS





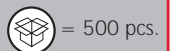
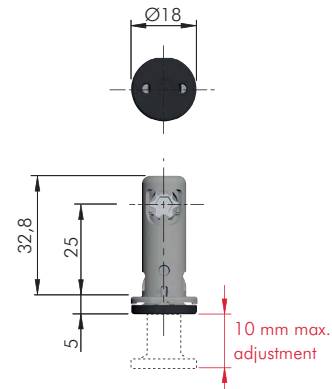
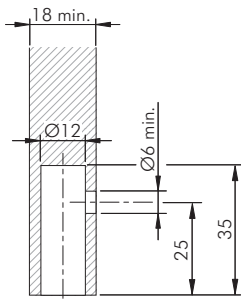
**REKORD TECH H 25 mm**

**Rectangular base**



3030301000

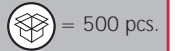
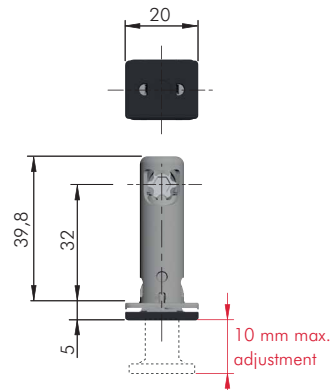
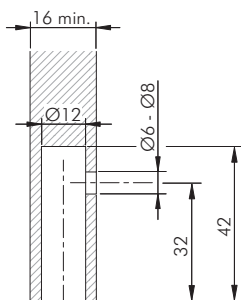
**Round base**



3030311000

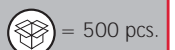
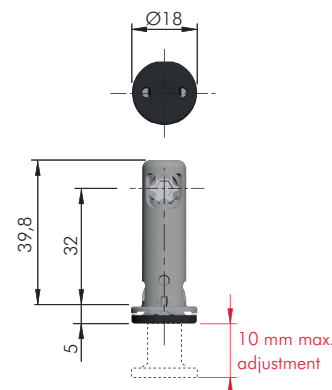
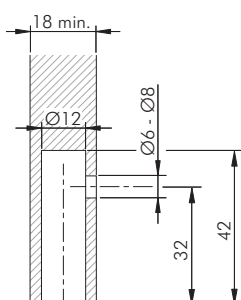
**REKORD TECH H 32 mm**

**Rectangular base**



3030302000

**Round base**

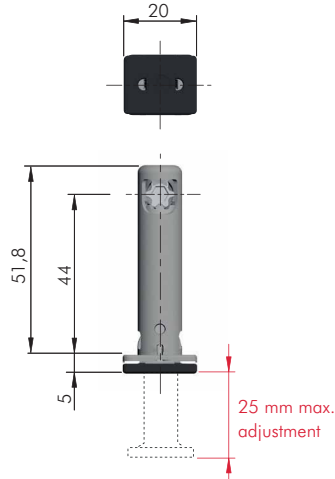
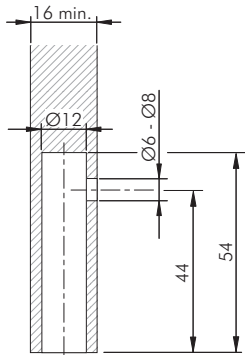


3030312000



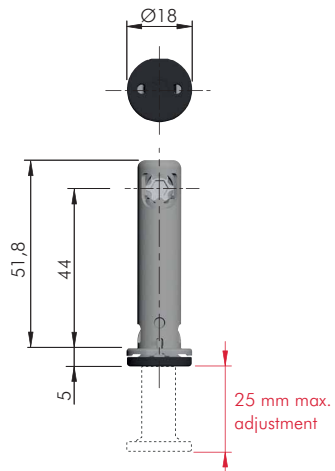
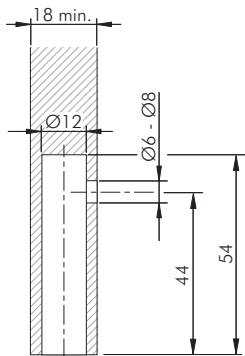
## REKORD TECH H 44 mm

### Rectangular base



= S4	= 250 pcs.
ZA EP ST	
123	
<b>3030303000</b>	

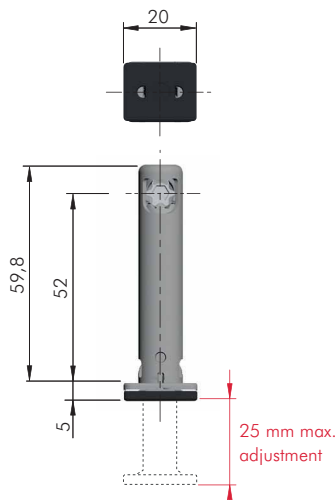
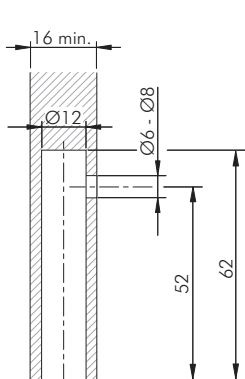
### Round base



= S4	= 250 pcs.
ZA ST EP	
123	
<b>3030313000</b>	

## REKORD TECH H 52 mm

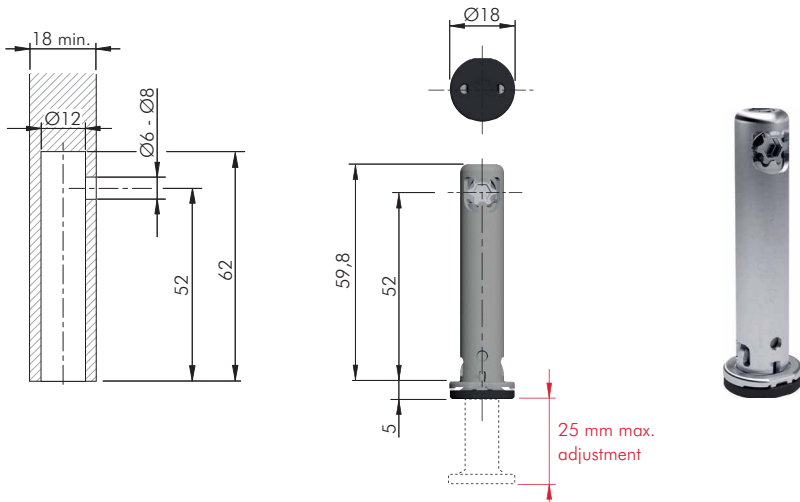
### Rectangular base



= S4	= 250 pcs.
ZA ST EP	
123	
<b>3030304000</b>	



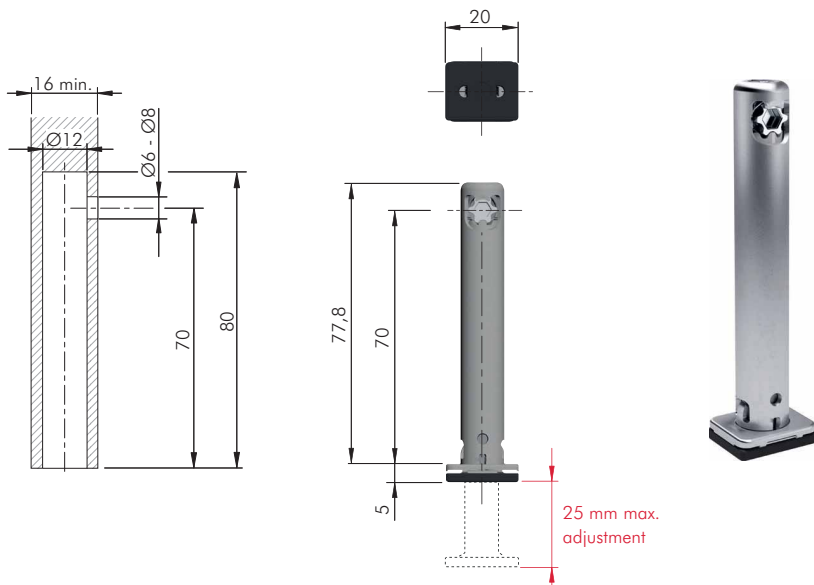
**Round base**



= S4	= 250 pcs.
ZA ST EP	
123	
<b>3030314000</b>	

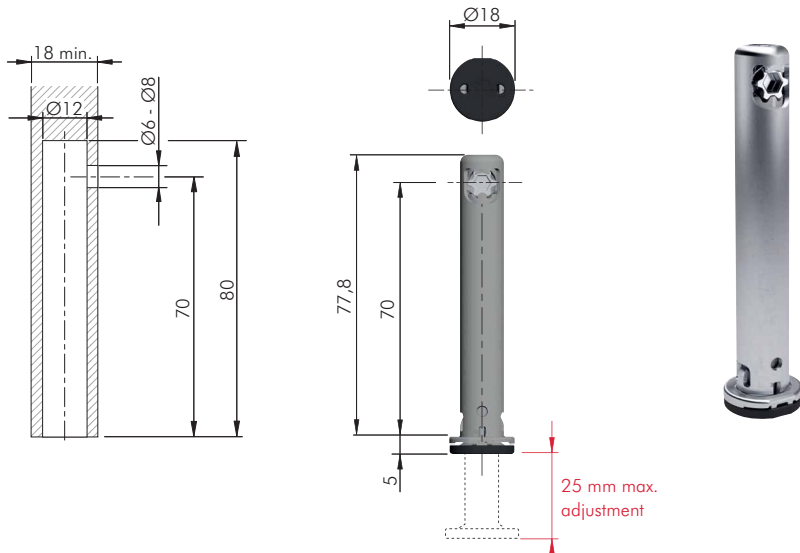
**REKORD TECH H 70 mm**

**Rectangular base**



= S4	= 250 pcs.
ZA ST EP	
123	
<b>3030305000</b>	

**Round base**

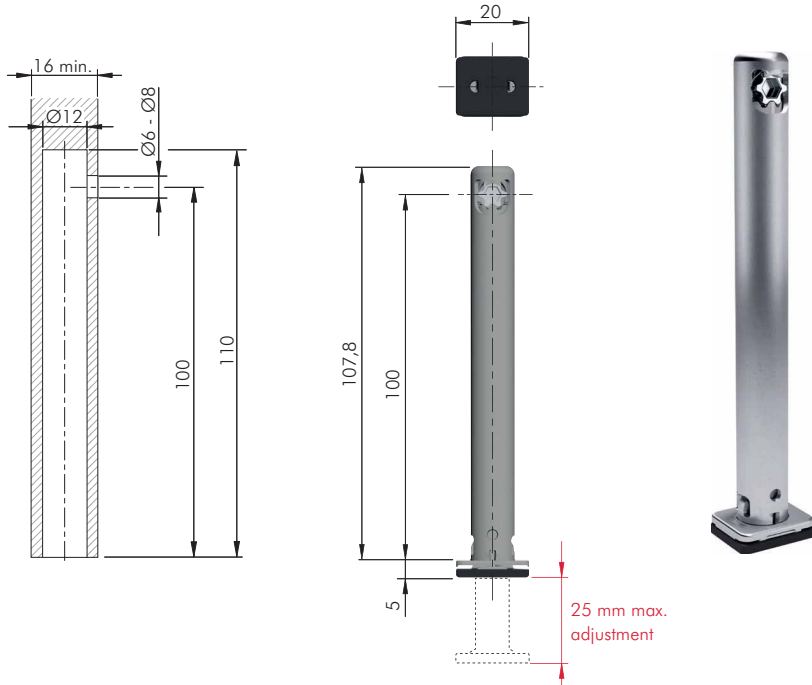


= S4	= 250 pcs.
ZA ST EP	
123	
<b>3030315000</b>	



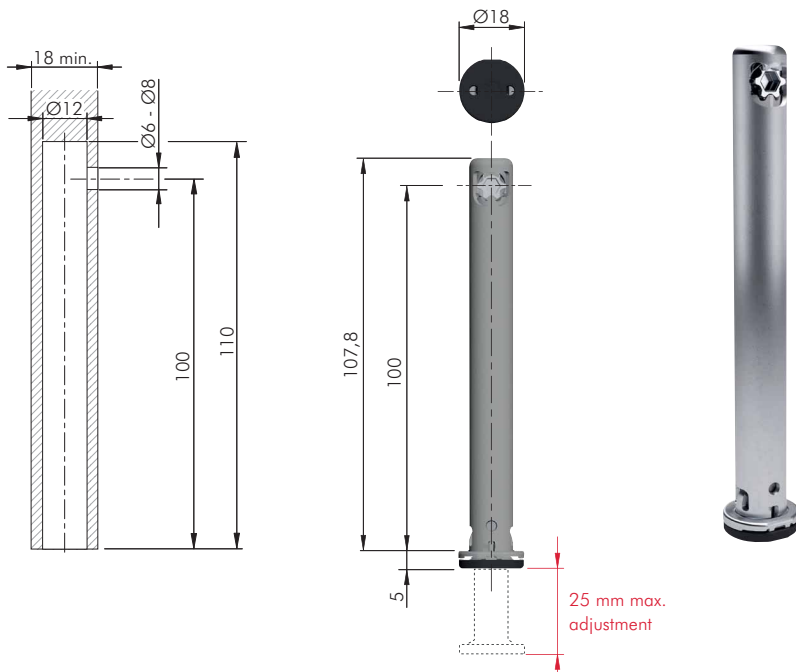
## REKORD TECH H 100 mm

### Rectangular base



	= S4		= 100 pcs.
<b>3030306000</b>			

### Round base



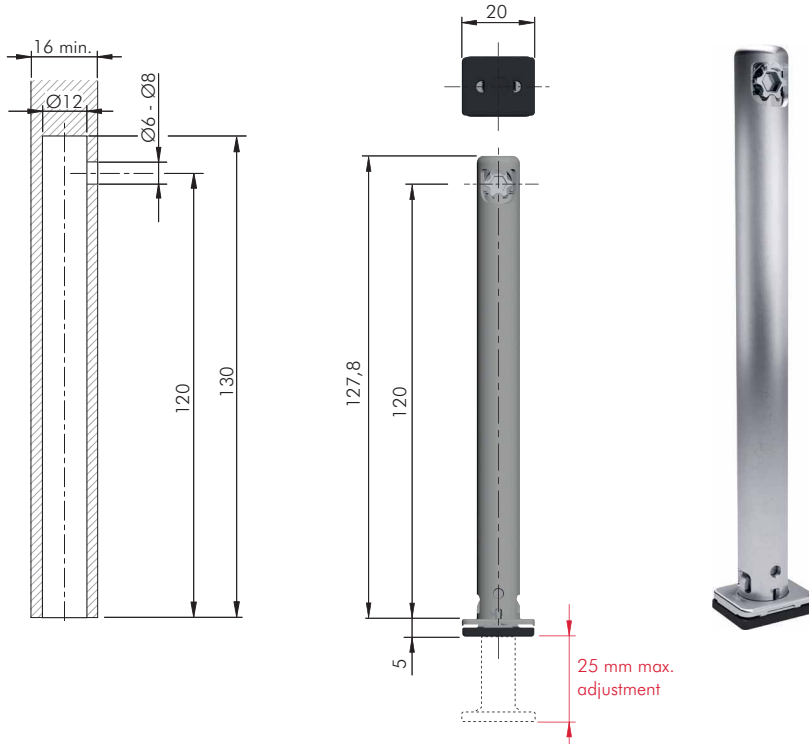
	= S4		= 100 pcs.
<b>3030316000</b>			





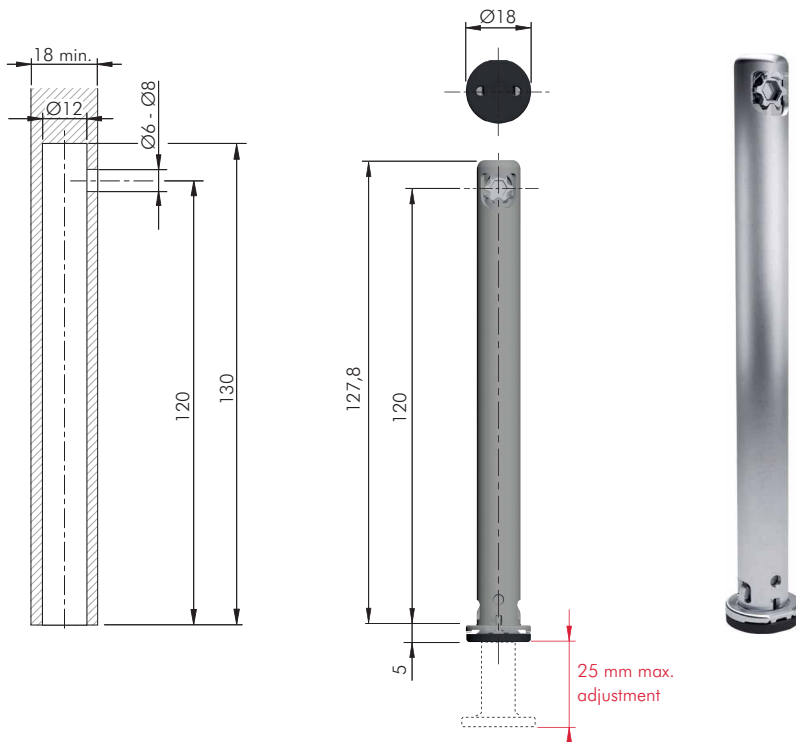
**REKORD TECH H 120 mm**

**Rectangular base**



= S4	= 100 pcs.
ZA ST EP	
123	
<b>3030307000</b>	

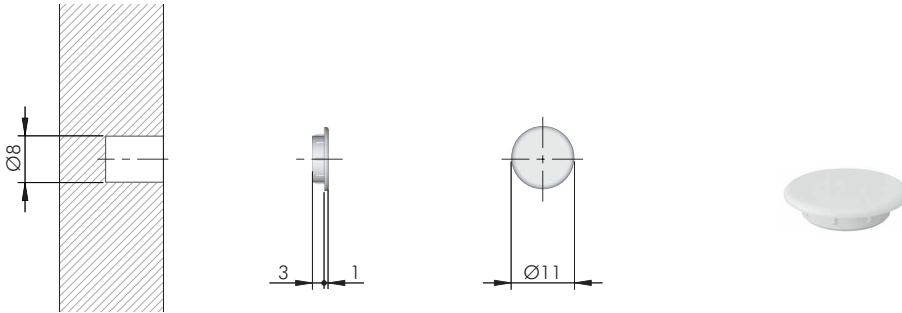
**Round base**



= S4	= 100 pcs.
ZA ST EP	
123	
<b>3030317000</b>	



## REKORD TECH ACCESSORY



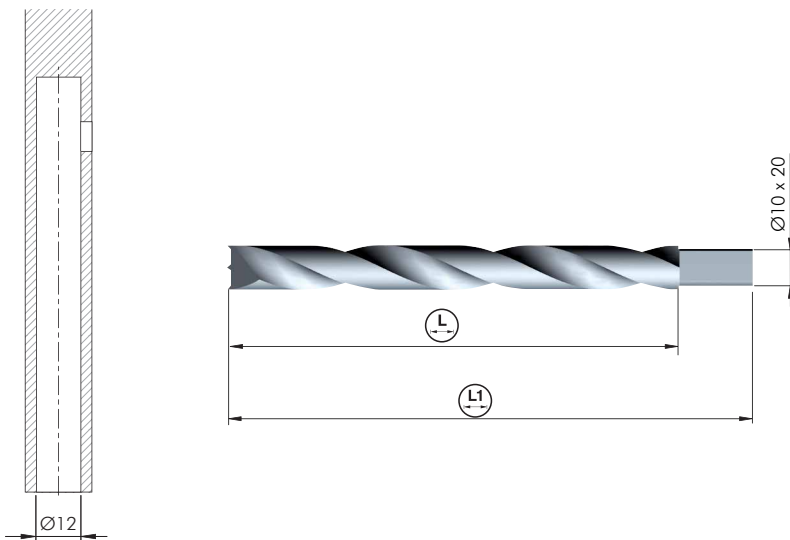
= Ø 8 mm      +

     = 5000 pcs.

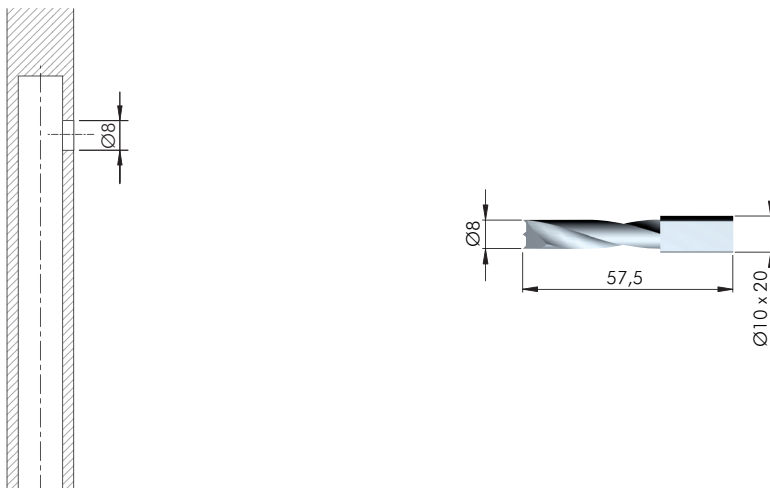
---

**23002010AB**

## DRILL BITS FOR REKORD TECH



HSS		= on request	
			Rekord Tech version
-----	60	80	H 25 H 32 H 44
<b>3030158000</b>	78	98	H 52
<b>3030159000</b>	96	116	H 70
<b>3030153000</b>	122	142	H 100
<b>3030152000</b>	146	166	H 120

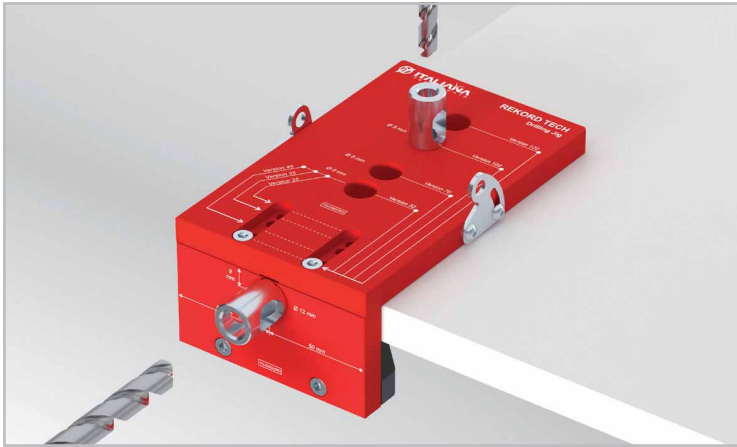


     = on request

**1145202000**

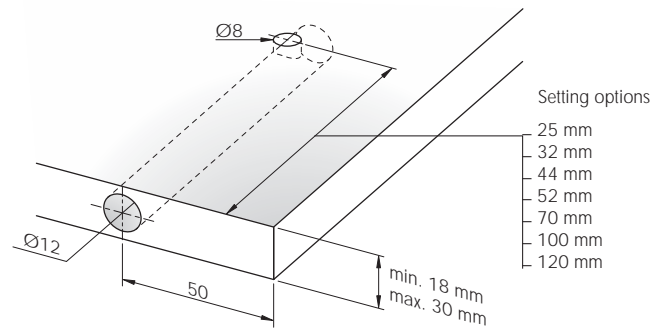
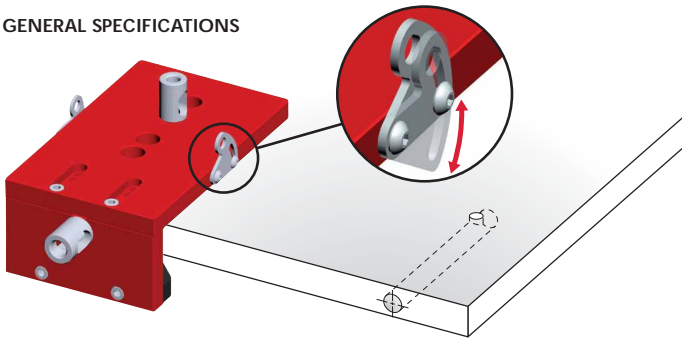


**DRILLING JIG FOR REKORD TECH**

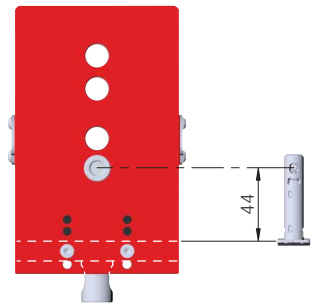
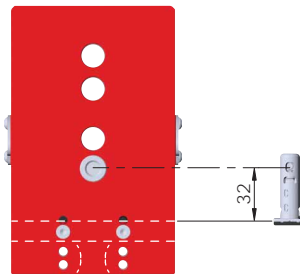
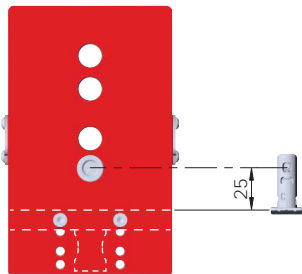
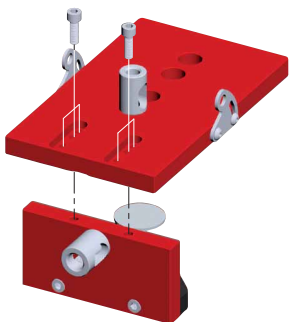
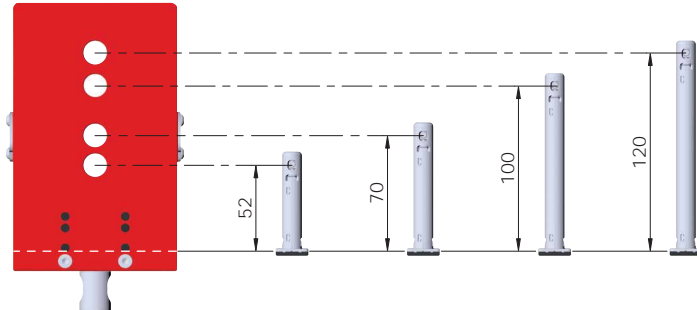
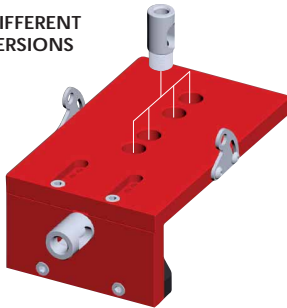


18 - 30 mm

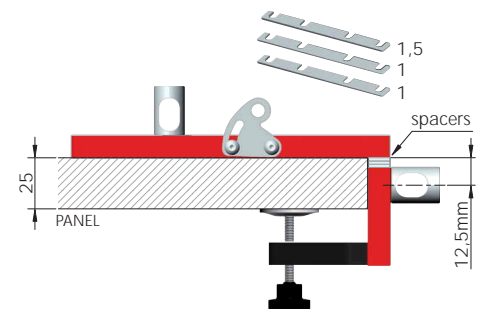
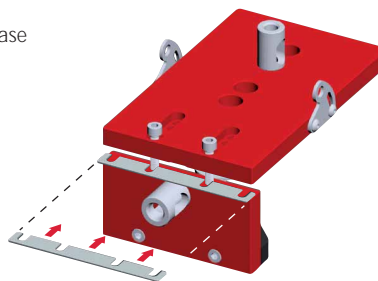
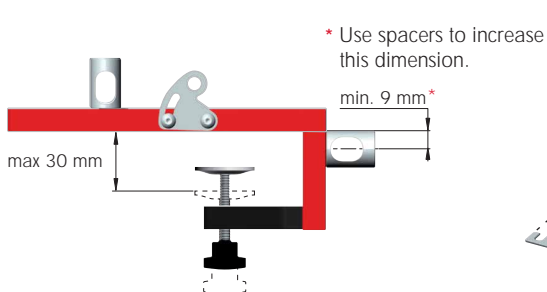
**GENERAL SPECIFICATIONS**



**SETTINGS FOR DIFFERENT REKORD TECH VERSIONS**

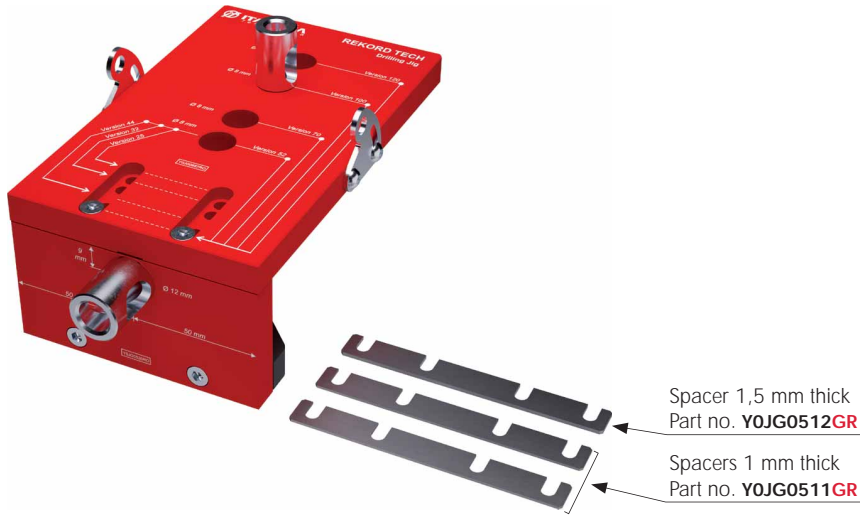


**DRILLING SPACERS FOR OTHER PANEL THICKNESSES**





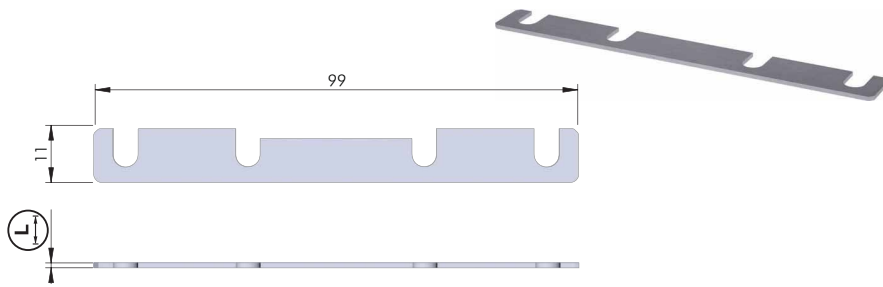
## REKORD TECH DRILLING JIG FOR PANEL THICKNESS 18 - 25 mm



AL	ST	EP	= on request
<b>YOJG0122RO</b>			

NOTE: The product code includes all the components shown in the picture.

## REKORD 12 DRILLING JIG ACCESSORIES



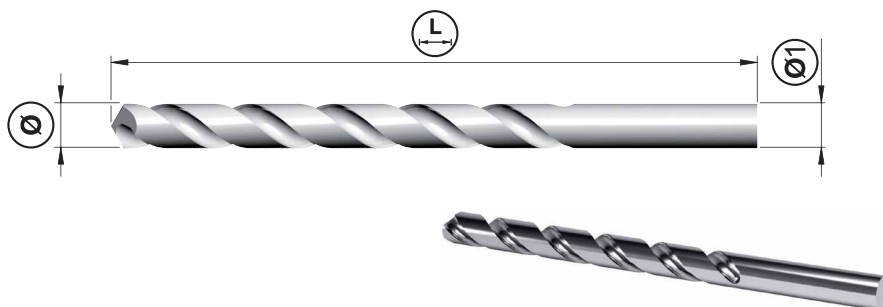
AL	= on request
<b>YOJG0511GR</b>	1
<b>YOJG0512GR</b>	1,5

## DRILLING JIG DEPTH STOP COLLARS



ST	= on request
<b>YOJG051700</b>	Ø8
<b>YOJG051900</b>	Ø12

## DRILL BIT



HSS	= on request		
<b>YOJG052800</b>	Ø8	117	Ø8
<b>YOJG054700</b>	Ø12	205	Ø10

NOTE: For drilling jig we recommend to use precision-



## REKORD TECH Ø14

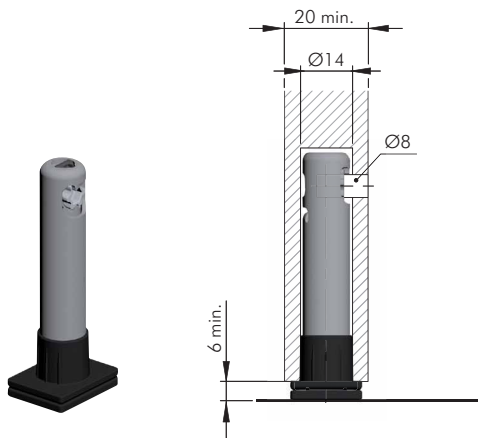


REKORD TECH is a development of the REKORD levellers. REKORD TECH is a concealed leveler to be fixed in the side panels and is suitable for heavy duty wardrobes, bookcases and modular furniture, as well as for flat-pack furniture. It is available in two versions: with rectangular base for side panels with 16mm minimum thickness or with round base for side panels with 18mm minimum thickness. The round base version can be completely embedded by operating a doublediameter hole. REKORD TECH is installed into the bottom edge of the side panel and it is then adjustable through a Ø6 mm hole from the inside, by using a S4 mm allen wrench. Even with a loaded cabinet, the adjustment is easy and smooth. REKORD TECH is available in multiple heights, with a maximum adjustment range of 25mm. In any case, all versions grant a capacity loading of 150 Kg each.

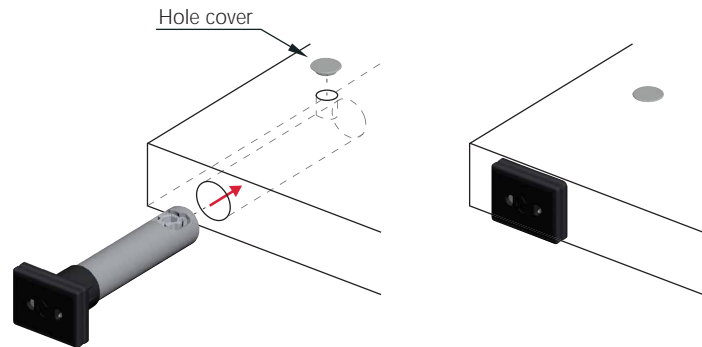
150 Kg per piece



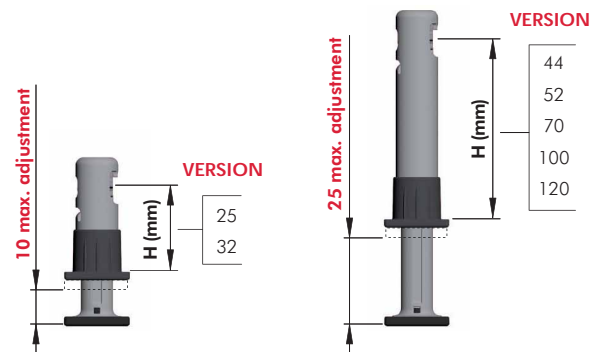
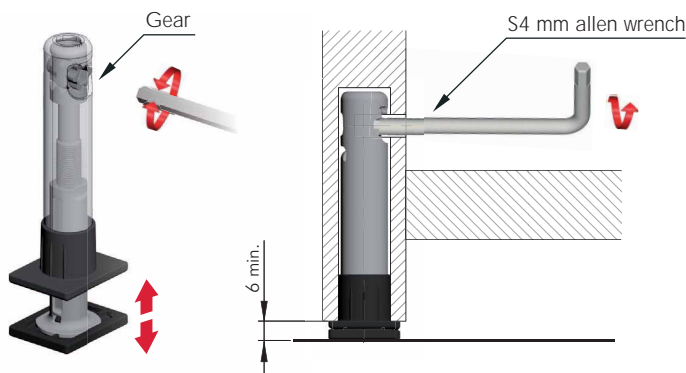
### SPECIFICATION



### INSTALLATION

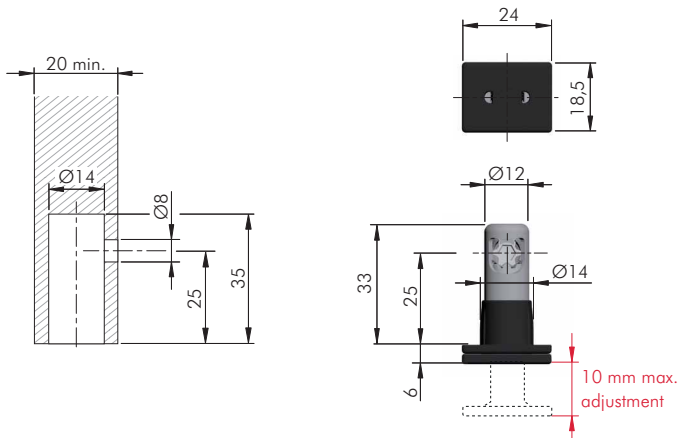


### ADJUSTMENTS



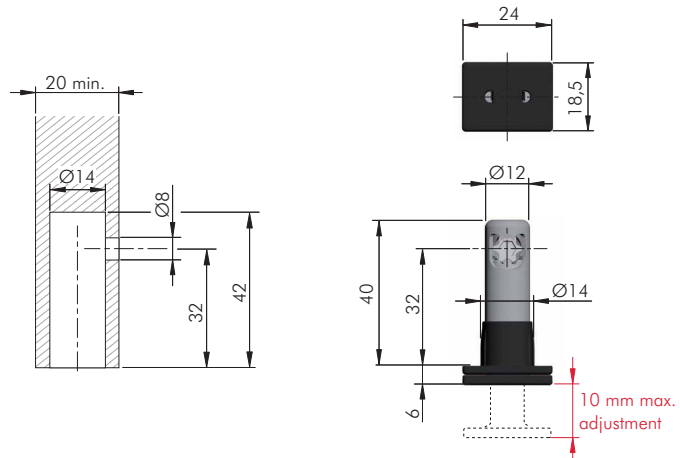


## REKORD TECH Ø14 - H 25 mm



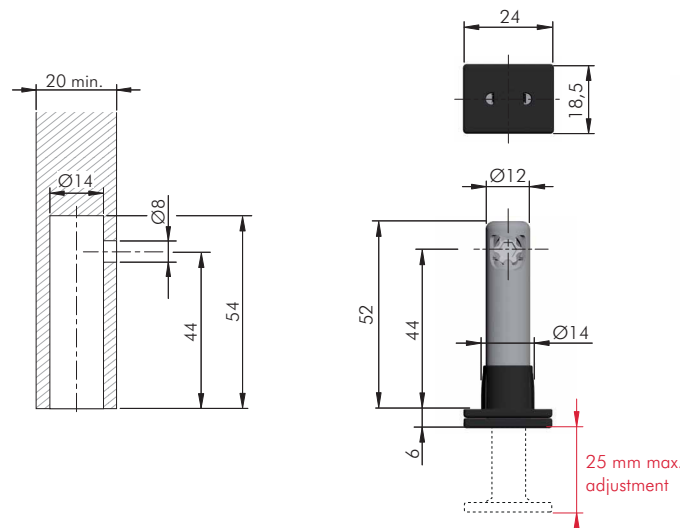
= S4  
 ST ZA EP = 500 pcs.  
 123  
**3030401000**

## REKORD TECH Ø14 - H 32 mm



= S4  
 ST ZA EP = 500 pcs.  
 123  
**3030402000**

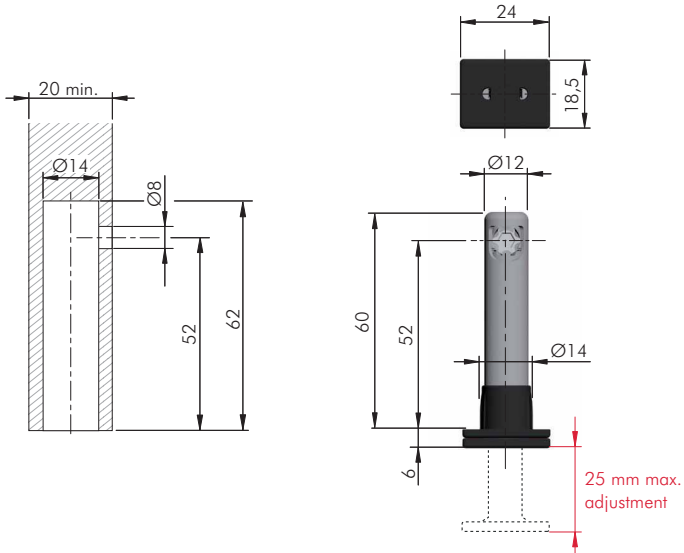
## REKORD TECH Ø14 - H 44 mm



= S4  
 ST ZA EP = 250 pcs.  
 123  
**3030403000**

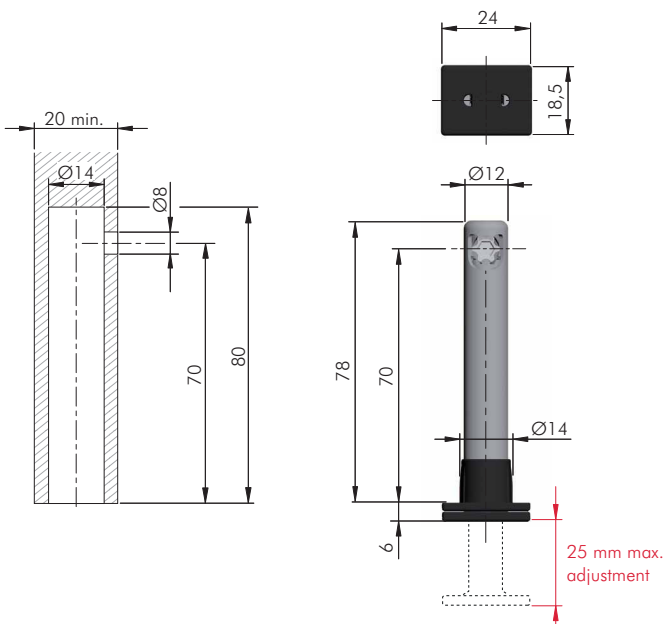


**REKORD TECH Ø14 - H 52 mm**



= S4	= 250 pcs.
ST ZA EP	
123	
<b>3030404000</b>	

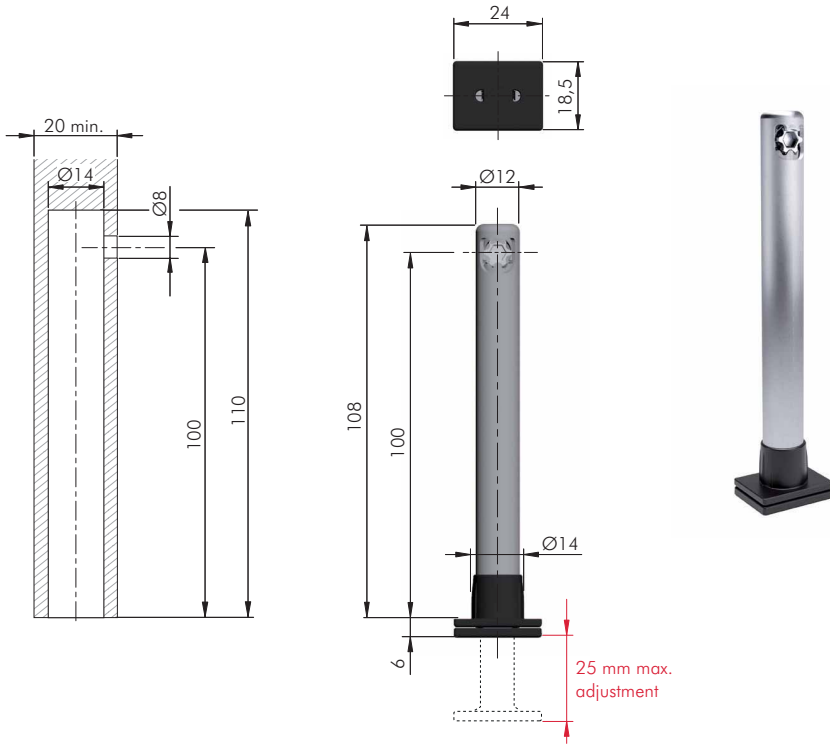
**REKORD TECH Ø14 - H 70 mm**



= S4	= 250 pcs.
ST ZA EP	
123	
<b>3030405000</b>	

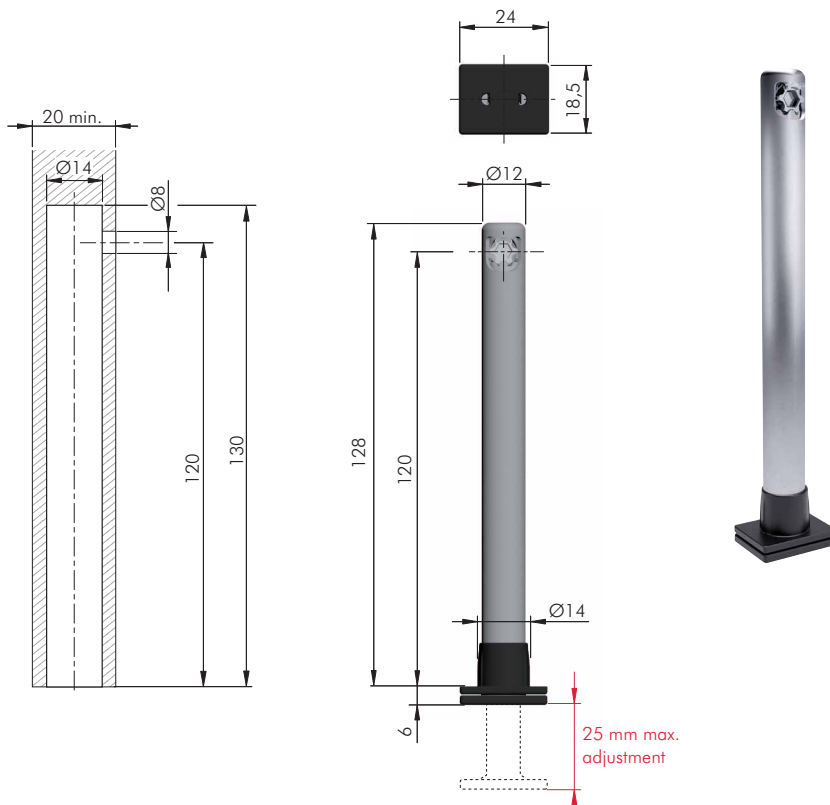


## REKORD TECH Ø14 - H 100 mm



= S4	= 100 pcs.
ST ZA EP	
123	
<b>3030406000</b>	

## REKORD TECH Ø14 - H 120 mm

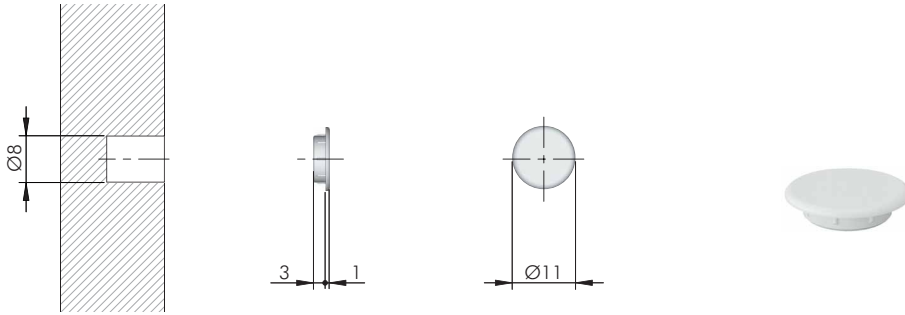







= S4	= 100 pcs.
ST ZA EP	
123	
<b>3030407000</b>	

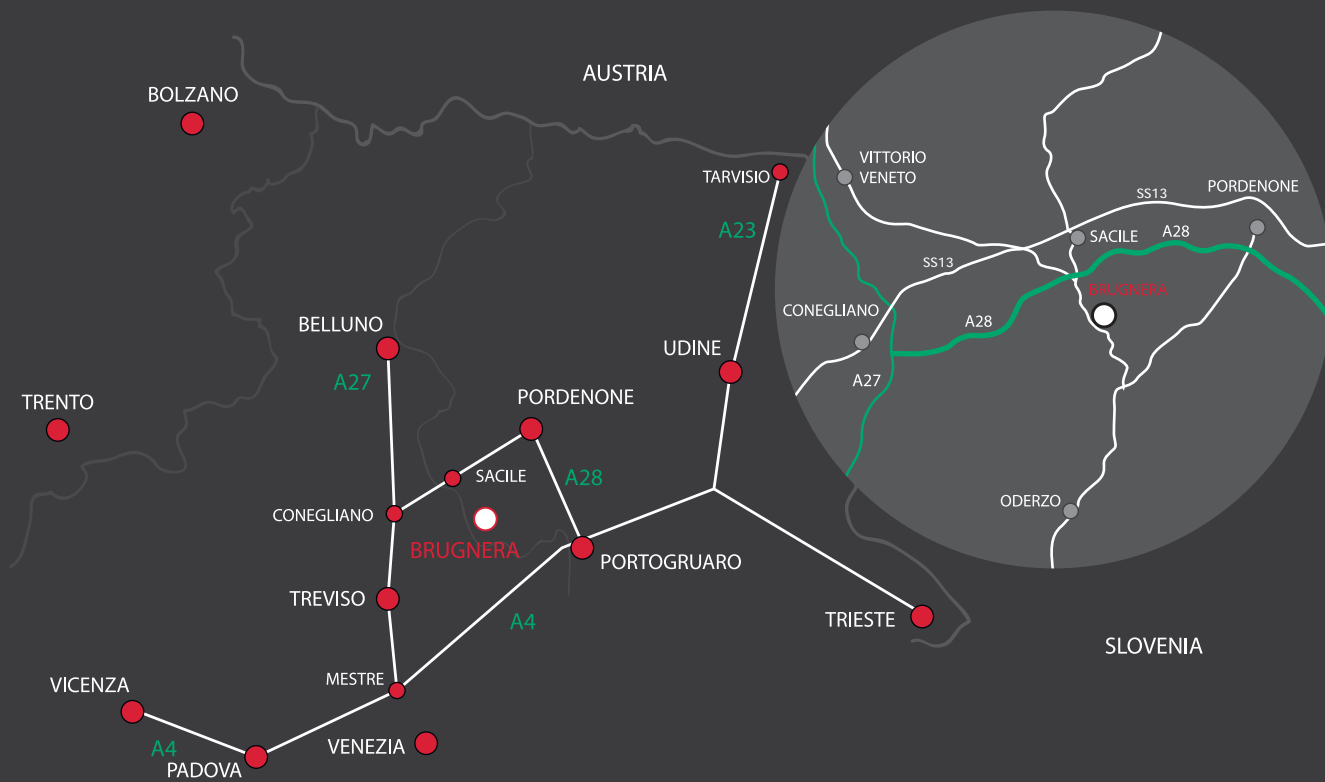




## REKORD TECH Ø14 ACCESSORY



 = Ø 8 mm	+ 
EP	 = 5000 pcs.
 123	
<b>23002010AB</b>	



[www.italianaferramenta.it](http://www.italianaferramenta.it)